

## General Specifications

Motor Structure: Shaded Pole Induction Motor  
 Motor Protection: Impedance Protection  
 Insulation Resistance: 10M Ohm or over with DC500V Megger  
 Dielectric Withstand Voltage: AC 700V 1s  
 Allowable Ambient Temperature Range:  
 -10 degree C ~ +70 degree C (Operating)  
 -40 degree C ~ +70 degree C (Storage)  
 (non-condensing environment)

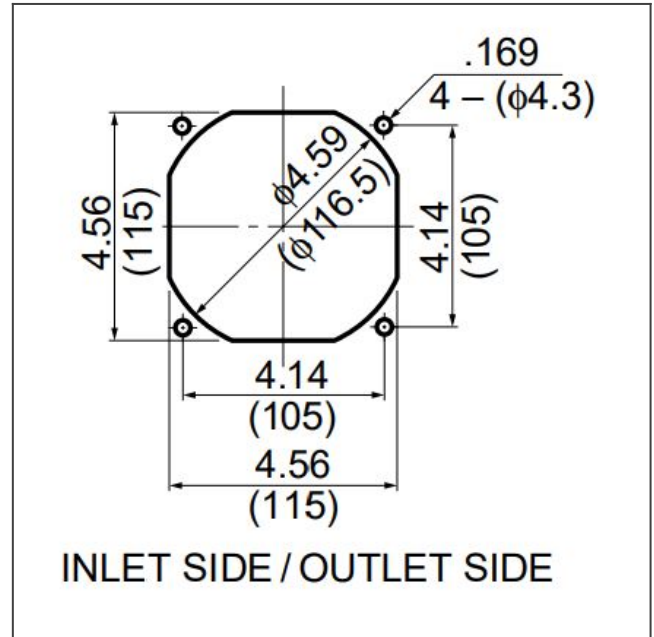
## Material

Casing: Aluminum Black Painting  
 Impeller: Plastic (Black) UL94V-0  
 Lead Wire or Terminal: AWG22, UL3266 CSA CL1252  
 Faston #110 or equivalent

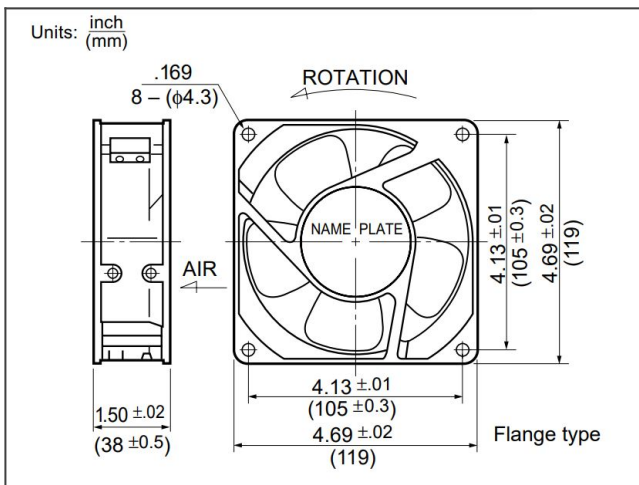
**4715FS product picture**



**4715FS panel cut out**



**4715FS product drawing**



## Detailed Specifications

<b>Expected Life:</b>	*Failure rate 10% 25deg.C 100,000 hours
<b>Nominal Voltage:</b>	230
<b>Frequency:</b>	60
<b>Starting Voltage:</b>	175
<b>AC Fans:</b>	Ball Bearing Fan
<b>Current:</b>	0.03
<b>Input Power (+10% - 20%):</b>	5.5
<b>Speed:</b>	1600
<b>Max. Air Flow:</b>	1.5
<b>Max. Air Flow:</b>	55
<b>Max. Static Pressure:</b>	17.5
<b>Max. Static Pressure:</b>	0.07
<b>Noise:</b>	55
<b>Fan Size:</b>	119
<b>Fan Width:</b>	38
<b>Mass:</b>	550

AC Fans