

General Specifications

Motor Protection: Auto Restart/Polarity Protection
 Insulation Resistance: 10M Ohm or over with a DC500V Megger
 Dielectric Withstand Voltage: AC 700V 1st
 Allowable Ambient Temperature Range:
 B50 Class: -10 degree C ~ +40 degree C (Operating)
 B10 ~ B40 Class: -10 degree C ~ +70 degree C (Operating)
 B10 ~ B40 Class: -40 degree C ~ +70 degree C (Storage)
 B50 Class: -40 degree C ~ +60 degree C (Storage) (non-condensing environment)

order part 4715KL-04W-B19-E50 Ball Bearing Fan DC Fans

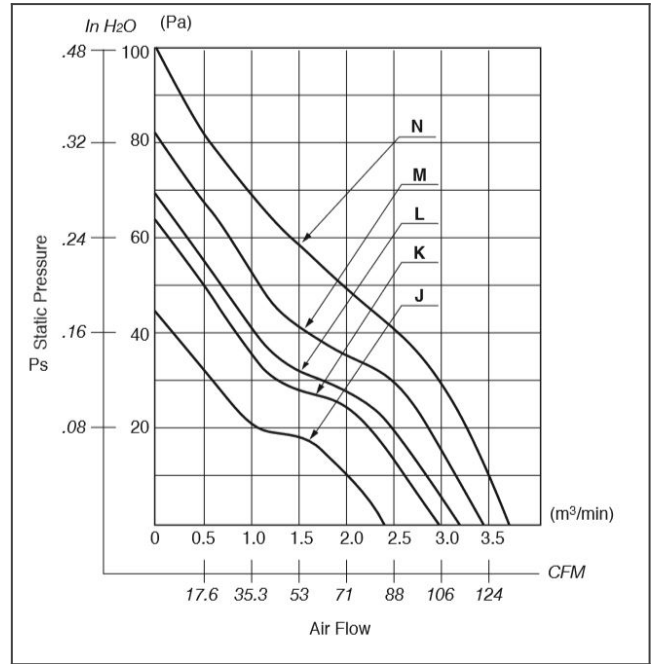


DC Fans

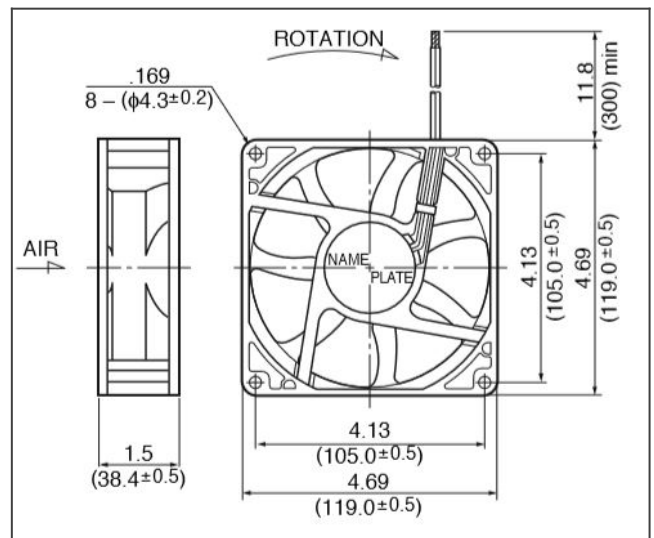
Material

Casing: Plastic (Black) UL94V-0
 Impeller: Plastic (Black) UL94V-0
 Lead Wire: UL1007, AWG24, +Red, -Black

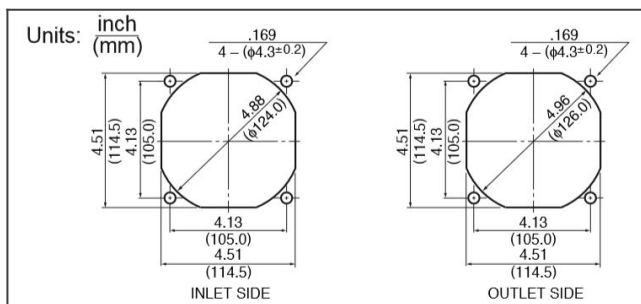
4715KL characteristic curve



4715KL product drawing



4715KL panel cut out



Detailed Specifications

Expected Life:	25 degree C 100,000 Hours (L10)
DC Fan:	Ball Bearing Fan
Nominal Voltage:	12[V]
Operating Voltage Lower:	6[V]
Operating Voltage Upper:	13.8[V]
Current:	0.27[A]
Input Power:	3.2[W]
Speed:	2300[min^{-1}]
Max. Air Flow:	2.37[m^3/min]
Max. Air Flow:	83.6[CFM]
Max. Static Pressure:	44.1[Pa]
Max. Static Pressure:	0.17[In H ₂ O]
Noise:	37[dB]
Mass:	260[g]
Fan Size:	119[mm]
Fan Width:	38[mm]
Life Expectancy L10:	25 degree C 50,000 Hours (L10)
Series:	4715KL

DC Fans