

## General Specifications

Motor Protection: Auto Restart/Polarity Protection  
 Insulation Resistance: 10M Ohm or over with a DC500V Megger  
 Dielectric Withstand Voltage: AC 700V 1st  
 Allowable Ambient Temperature Range:  
 B50 Class: -10 degree C ~ +40 degree C (Operating)  
 B10 ~ B40 Class: -10 degree C ~ +70 degree C (Operating)  
 B10 ~ B40 Class: -40 degree C ~ +70 degree C (Storage)  
 B50 Class: -40 degree C ~ +60 degree C (Storage) (non-condensing environment)

**order part 4715KL-04W-B59-P00 Ball Bearing Fan DC Fans**

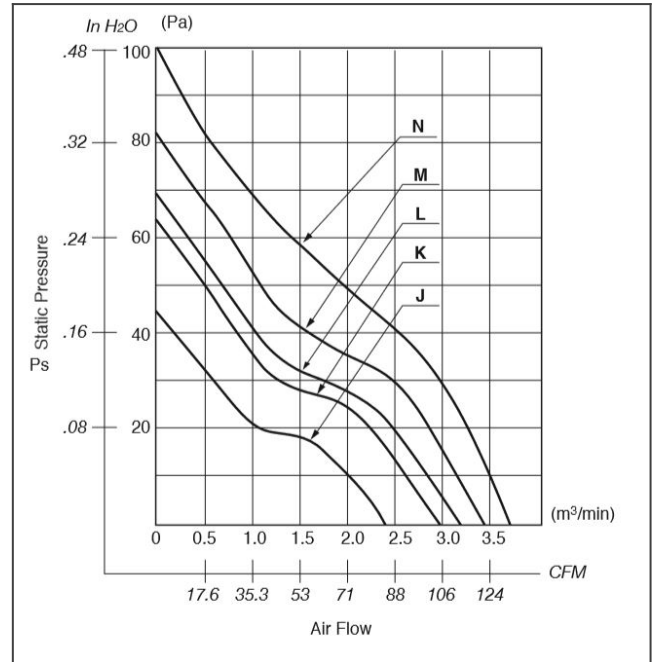


DC Fans

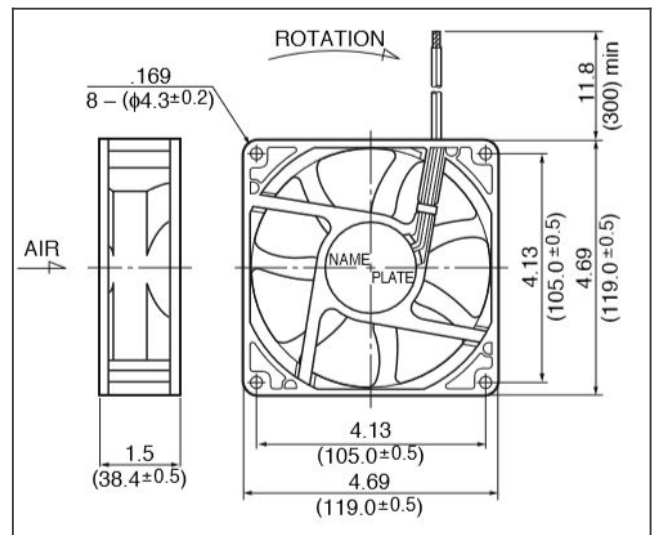
## Material

Casing: Plastic (Black) UL94V-0  
 Impeller: Plastic (Black) UL94V-0  
 Lead Wire: UL1007, AWG24, +Red, -Black

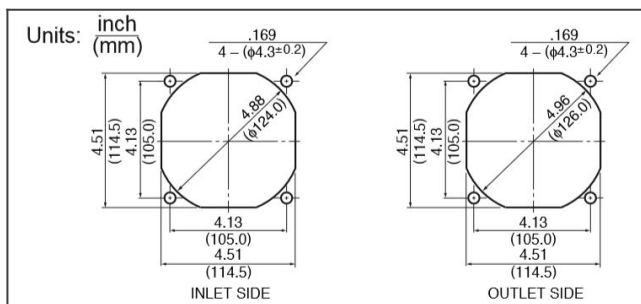
### 4715KL characteristic curve



### 4715KL product drawing



### 4715KL panel cut out



## Detailed Specifications

<b>Expected Life:</b>	25 degree C 100,000 Hours (L10)
<b>DC Fan:</b>	Ball Bearing Fan
<b>Nominal Voltage:</b>	12[V]
<b>Operating Voltage Lower:</b>	9.5[V]
<b>Operating Voltage Upper:</b>	12.6[V]
<b>Current:</b>	1[A]
<b>Input Power:</b>	12[W]
<b>Speed:</b>	3600[ $\text{min}^{-1}$ ]
<b>Max. Air Flow:</b>	3.68[ $\text{m}^3/\text{min}$ ]
<b>Max. Air Flow:</b>	129.9[CFM]
<b>Max. Static Pressure:</b>	110[Pa]
<b>Max. Static Pressure:</b>	0.44[In H <sub>2</sub> O]
<b>Noise:</b>	50[dB]
<b>Mass:</b>	260[g]
<b>Fan Size:</b>	119[mm]
<b>Fan Width:</b>	38[mm]
<b>Life Expectancy L10:</b>	25 degree C 50,000 Hours (L10)
<b>Series:</b>	4715KL

DC Fans