

General Specifications

Motor Protection: Auto Restart/Polarity Protection
 Insulation Resistance: 10M Ohm or over with a DC500V Megger
 Dielectric Withstand Voltage: AC 700V 1st
 Allowable Ambient Temperature Range:
 N Class: -10 degree C ~ +40 degree C (Operating)
 L ~ M Class: -10 degree C ~ +70 degree C (Operating)
 L ~ M Class: -40 degree C ~ +70 degree C (Storage)
 N Class: -40 degree C ~ +60 degree C (Storage) (non-condensing environment)

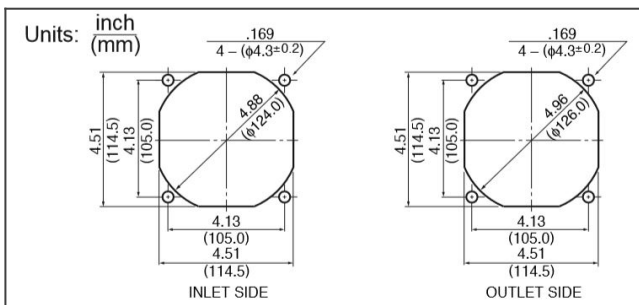
Material

Casing: Plastic (Black) UL94V-0
 Impeller: Plastic (Black) UL94V-0
 Lead Wire: UL1007, AWG24, +Red, -Black

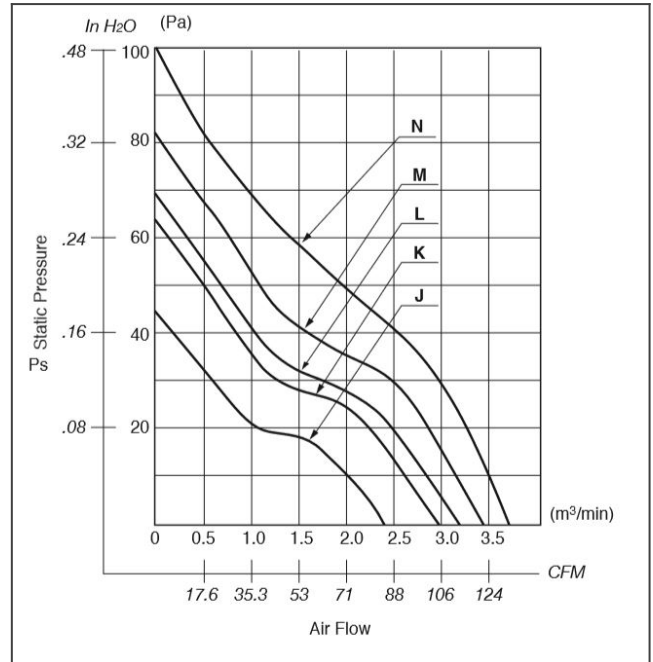
4715KL product picture



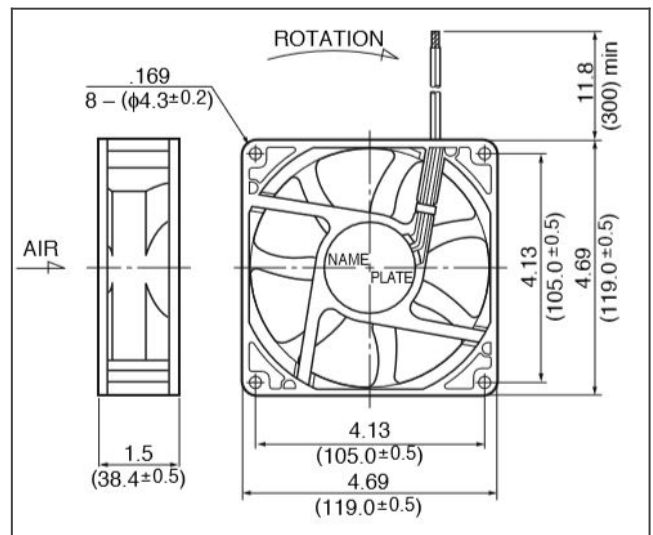
4715KL panel cut out



4715KL characteristic curve



4715KL product drawing



Detailed Specifications

Expected Life:	25 degree C 100,000 Hours (L10)
DC Fan:	Ball Bearing Fan
Nominal Voltage:	24
Operating Voltage Lower:	10
Operating Voltage Upper:	27.6
Current:	0.31
Input Power:	7.44
Speed:	2950
Max. Air Flow:	3.07
Max. Air Flow:	108.4
Max. Static Pressure:	68.1
Max. Static Pressure:	0.27
Noise:	42.5
Mass:	260
Fan Size:	119
Fan Width:	38

DC Fans