

## General Specifications

Motor Protection: Auto Restart/Polarity Protection  
 Insulation Resistance: 10M Ohm or over with a DC500V Megger  
 Dielectric Withstand Voltage: AC 700V 1st  
 Allowable Ambient Temperature Range:  
 N Class: -10 degree C ~ +40 degree C (Operating)  
 L ~ M Class: -10 degree C ~ +70 degree C (Operating)  
 L ~ M Class: -40 degree C ~ +70 degree C (Storage)  
 N Class: -40 degree C ~ +60 degree C (Storage) (non-condensing environment)

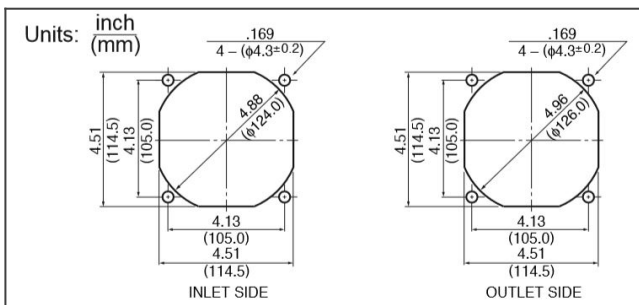
## Material

Casing: Plastic (Black) UL94V-0  
 Impeller: Plastic (Black) UL94V-0  
 Lead Wire: UL1007, AWG24, +Red, -Black

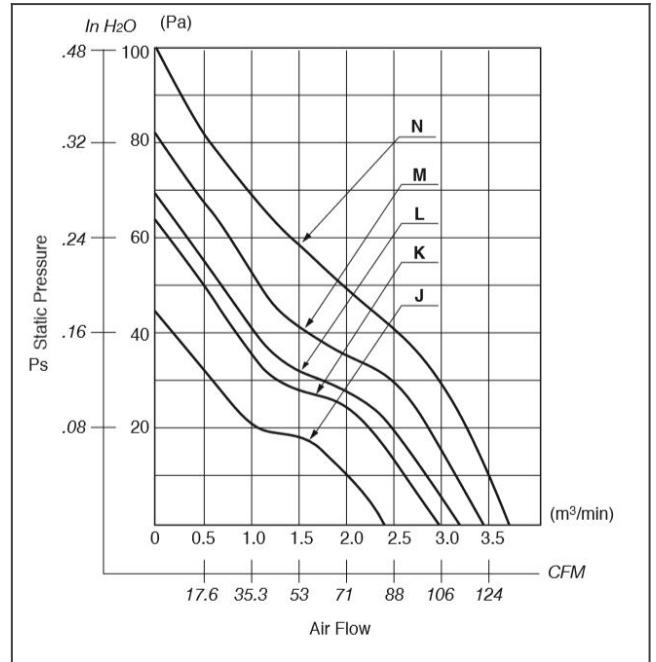
**4715KL product picture**



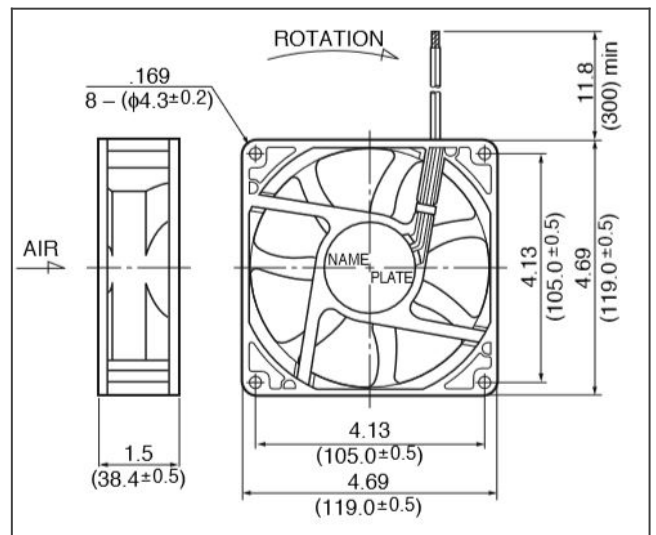
**4715KL panel cut out**



**4715KL characteristic curve**



**4715KL product drawing**



## Detailed Specifications

<b>Expected Life:</b>	25 degree C 100,000 Hours (L10)
<b>DC Fan:</b>	Ball Bearing Fan
<b>Nominal Voltage:</b>	24
<b>Operating Voltage Lower:</b>	18
<b>Operating Voltage Upper:</b>	25
<b>Current:</b>	0.5
<b>Input Power:</b>	12
<b>Speed:</b>	3600
<b>Max. Air Flow:</b>	3.68
<b>Max. Air Flow:</b>	129.9
<b>Max. Static Pressure:</b>	110
<b>Max. Static Pressure:</b>	0.44
<b>Noise:</b>	50
<b>Mass:</b>	260
<b>Fan Size:</b>	119
<b>Fan Width:</b>	38

DC Fans