

General Specifications

Motor Structure: Shaded Pole Induction Motor
 Motor Protection: Impedance Protection
 Insulation Resistance: 100M Ohm or over with DC500V Megger
 Dielectric Withstand Voltage: AC 1800V 3s
 Allowable Ambient Temperature Range:
 -10 degree C ~ +70 degree C (Operating)
 -40 degree C ~ +70degree C (Storage)
 (non-condensing environment)

Material

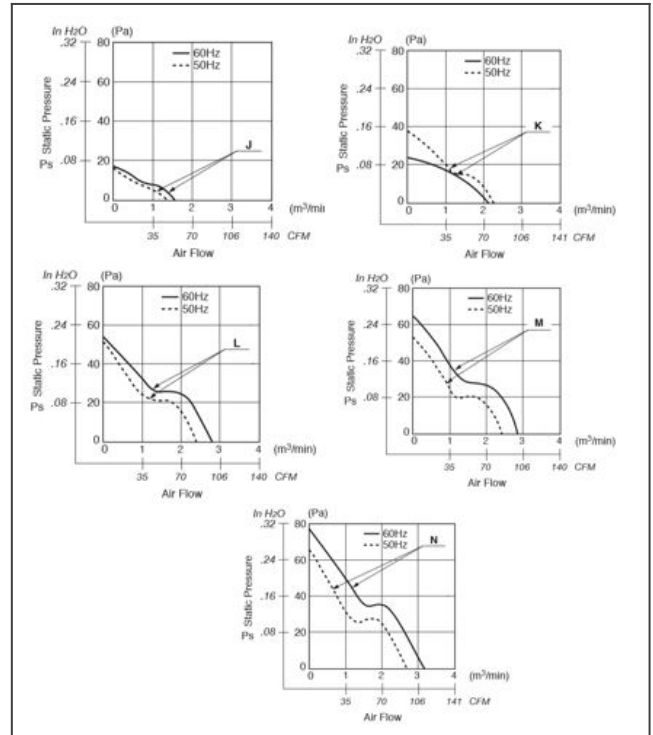
Casing: Aluminum Black Painting
 Impeller: Plastic (Black) UL94V-0
 Lead Wire or Terminal: UL3266, AWG22 / Faston #110 or equivalent

4715MS product picture

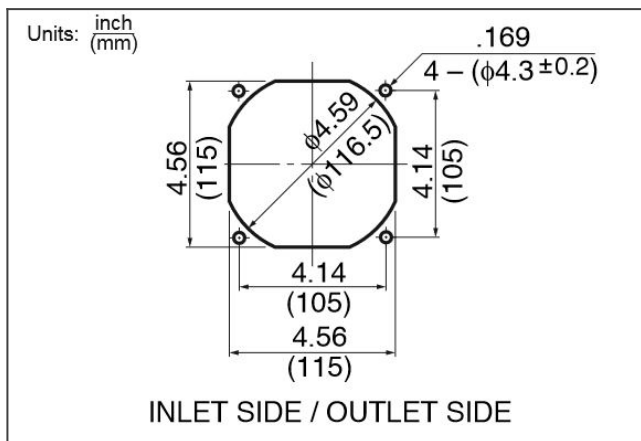


AC Fans

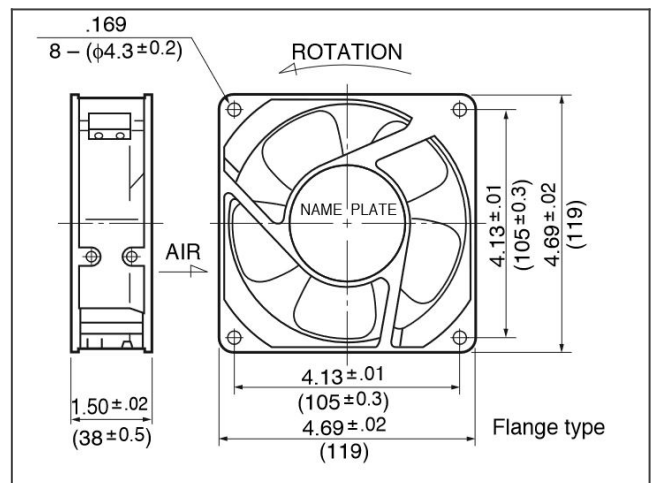
4715MS characteristics curve



4715MS panel cut out



4715MS product drawing



Detailed Specifications

Expected Life:	*Failure rate 10% 25deg.C 100,000 hours
Nominal Voltage:	115
Frequency:	50
Starting Voltage:	75
AC Fans:	Ball Bearing Fan
Current:	0.09
Input Power (+10% - 20%):	6
Speed:	1350
Max. Air Flow:	1.3
Max. Air Flow:	45.9
Max. Static Pressure:	15.6
Max. Static Pressure:	0.06
Noise:	27
Fan Size:	119
Fan Width:	38
Mass:	550

AC Fans