

**General Specifications**

Motor Structure: Shaded Pole Induction Motor  
 Motor Protection: Impedance Protection  
 Insulation Resistance: 100M Ohm or over with DC500V Megger  
 Dielectric Withstand Voltage: AC 1800V 3s  
 Allowable Ambient Temperature Range:  
 -10 degree C ~ +70 degree C (Operating)  
 -40 degree C ~ +70 degree C (Storage)  
 (non-condensing environment)

**Material**

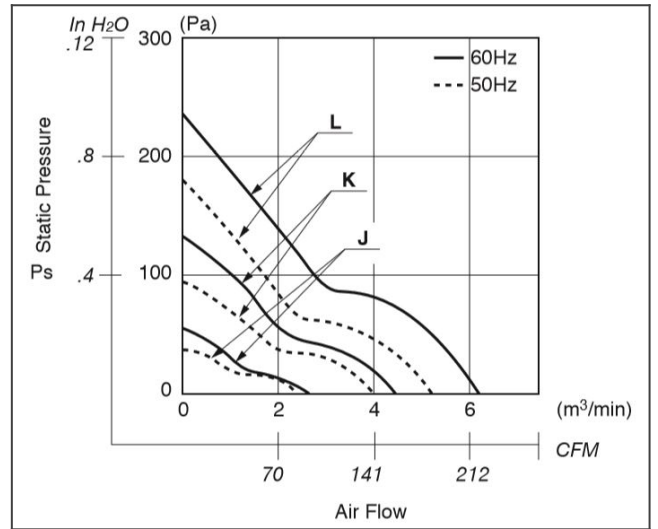
Casing: Aluminum Black Painting  
 Impeller: Plastic (Black) UL94V-0  
 Lead Wire or Terminal: Faston #110 or equivalent

**5915PC-10T-B30-B00 plastic std product picture**

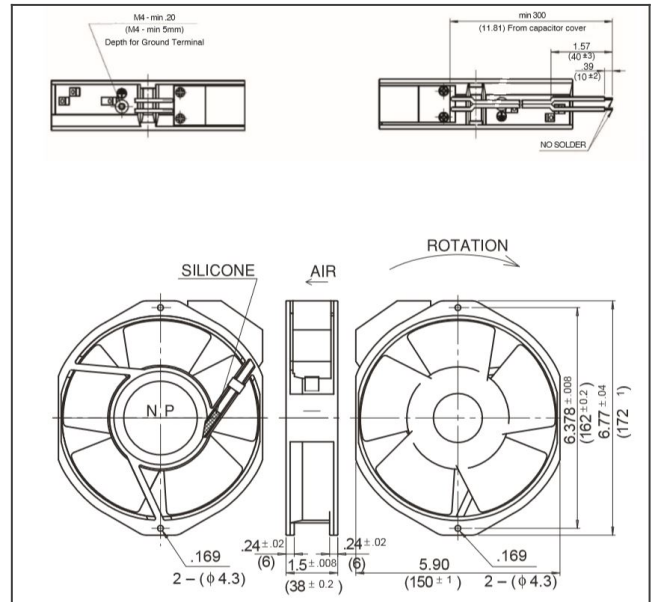


AC Fans

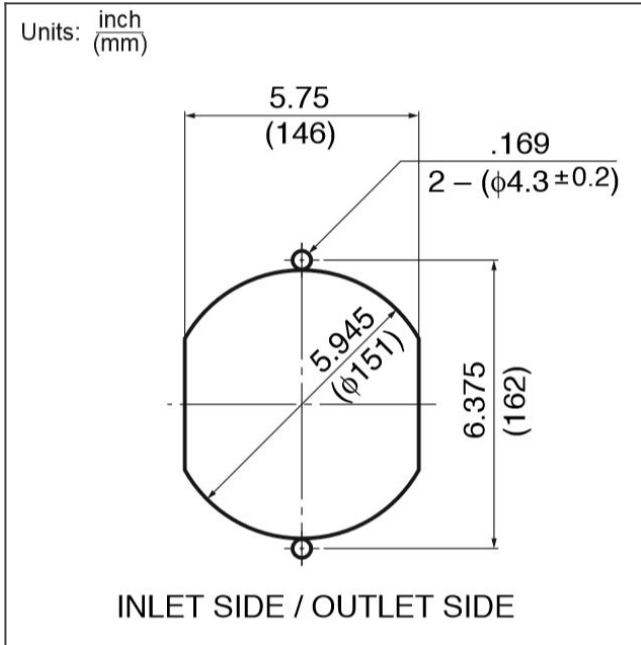
**5915PC-10T-B30-B00 plastic std characteristics curve**



**5915PC-10T-B30-B00 plastic std product drawing**



**5915PC-10T-B30-B00 plastic std panel cut out**



## Detailed Specifications

<b>Expected Life:</b>	*Failure rate 10% 25deg.C 100,000 hours
<b>Nominal Voltage:</b>	100
<b>Frequency:</b>	50
<b>Starting Voltage:</b>	65
<b>Industry:</b>	Industrial Machines
<b>AC Fans:</b>	Ball Bearing Fan Plastic Blades Standard
<b>Current:</b>	0.53
<b>Input Power (+10% - 20%):</b>	42
<b>Speed:</b>	2650
<b>Max. Air Flow:</b>	5.3
<b>Max. Air Flow:</b>	189.3
<b>Max. Static Pressure:</b>	127.5
<b>Max. Static Pressure:</b>	0.51
<b>Noise:</b>	48
<b>Fan Size:</b>	150
<b>Fan Width:</b>	38
<b>Mass:</b>	900

AC Fans