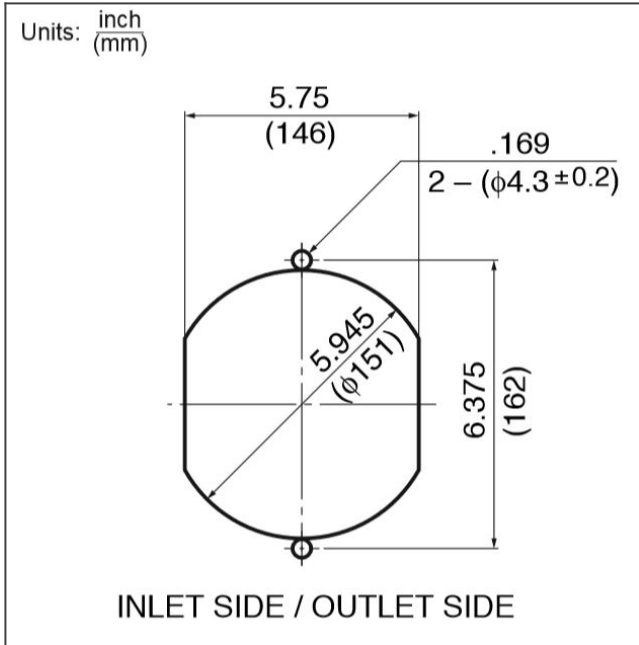


5915PC-12T-B10-A00 plastic std panel cut out



AC Fans

Detailed Specifications

Expected Life:	*Failure rate 10% 25deg.C 100,000 hours
Nominal Voltage:	115
Frequency:	60
Starting Voltage:	75
Current:	0.19
Input Power (+10% - 20%):	18
Speed:	1650
Max. Air Flow:	2.9
Max. Air Flow:	102.3
Max. Static Pressure:	60.7
Max. Static Pressure:	0.243
Noise:	38
Fan Size:	150
Fan Width:	38
Mass:	800