

**General Specifications**

Motor Structure: Capacitor-Run Induction Motor  
 Motor Protection: Thermal Protection  
 Insulation Resistance: 100M Ohm or over with DC500V Megger  
 Dielectric Withstand Voltage: AC 1800V 3s  
 Allowable Ambient Temperature Range:  
 -10 degree C ~ +70 degree C (Operating)  
 -40 degree C ~ +70 degree C (Storage)  
 (non-condensing environment)

**Material**

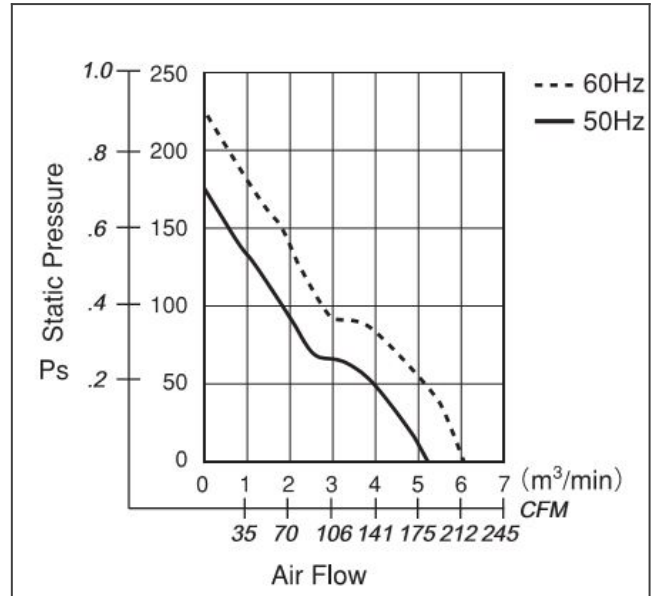
Casing: Aluminum Black Painting  
 Impeller: Plastic (Black) UL94V-0  
 Lead Wire or Terminal: Faston #110 or equivalent

**5915PC-23T-B30-AM0 product picture**

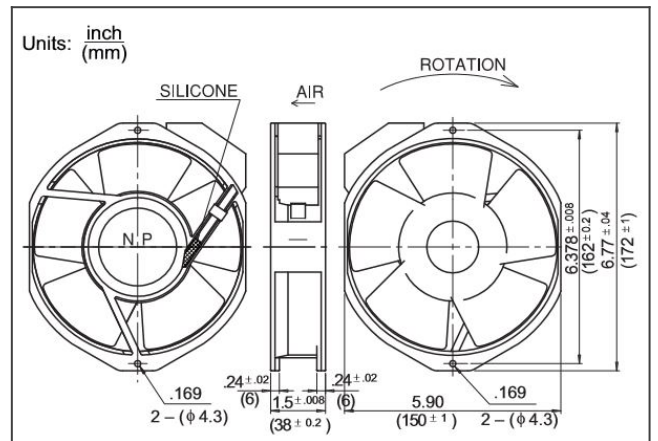


AC Fans

**5915PC-23T-B30-AM0 characteristic curve**



**5915PC-23T-B30-AM0 product drawing**





## Detailed Specifications

<b>Expected Life:</b>	*Failure rate 10% 25deg.C 100,000 hours
<b>Nominal Voltage:</b>	230
<b>Frequency:</b>	50
<b>Starting Voltage:</b>	150
<b>Current:</b>	0.19
<b>Input Power (+10% - 20%):</b>	35
<b>Speed:</b>	2700
<b>Max. Air Flow:</b>	5
<b>Max. Air Flow:</b>	211.8
<b>Max. Static Pressure:</b>	157
<b>Max. Static Pressure:</b>	0.628
<b>Noise:</b>	52
<b>Fan Size:</b>	150
<b>Fan Width:</b>	38
<b>Mass:</b>	850

AC Fans