

General Specifications

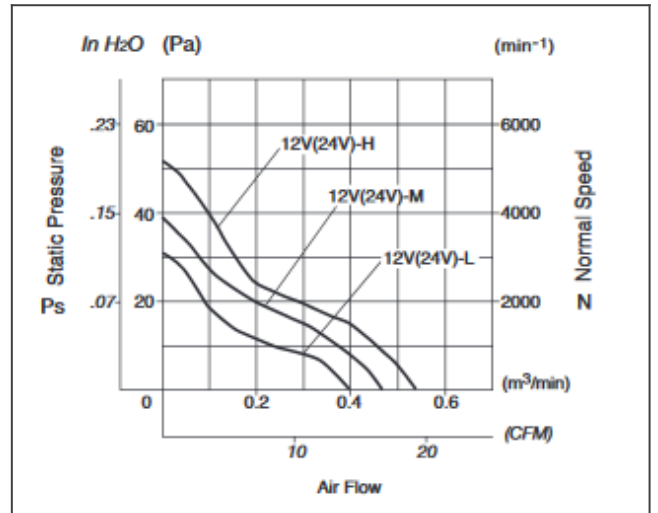
Allowable Ambient Temperature Range:
 -10 degree C ~ +70 degree C (65% RH) (Operating)
 -40 degree C ~ +70 degree C (65% RH) (Storage)
 (non-condensing environment)

**order part FBA06A12H1BX Hydro Wave Fan
 DC Fans**

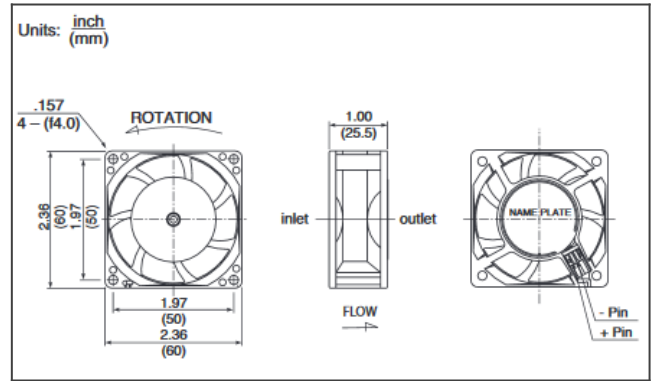


DC Fans

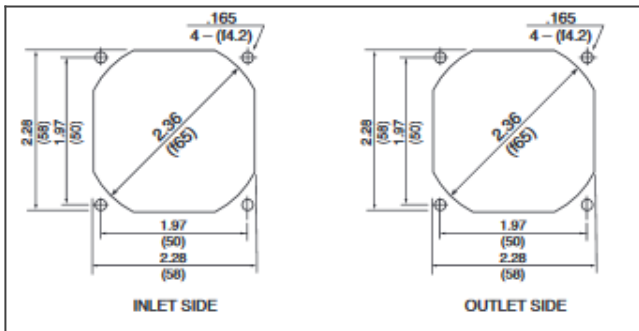
FBA06A characteristic curve



FBA06A product drawing



FBA06A panel cut out



Detailed Specifications

Expected Life:	50,000 Hours (40 degrees C, 65% RH)
DC Fan:	Hydro Wave Fan
Nominal Voltage:	12[V]
Operating Voltage Lower:	7[V]
Operating Voltage Upper:	13.8[V]
Current:	155[A]
Input Power:	1.9[W]
Speed:	4200[min^{-1}]
Max. Air Flow:	0.54[m^3/min]
Max. Air Flow:	19.1[CFM]
Max. Static Pressure:	51[Pa]
Max. Static Pressure:	0.2[In H ₂ O]
Noise:	32[dB]
Mass:	90[g]
Fan Size:	60[mm]
Fan Width:	25.5[mm]
Life Expectancy L10:	50,000 Hours (40 degrees C, 65% RH)
Series:	FBA06A

DC Fans