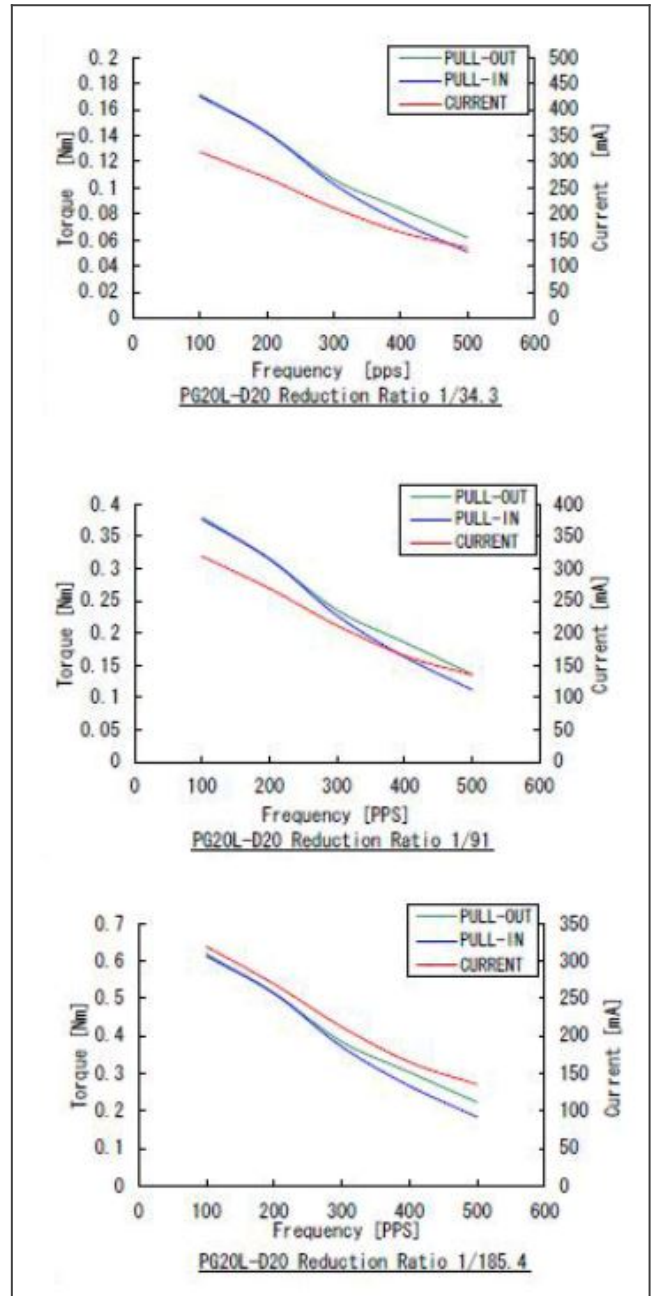


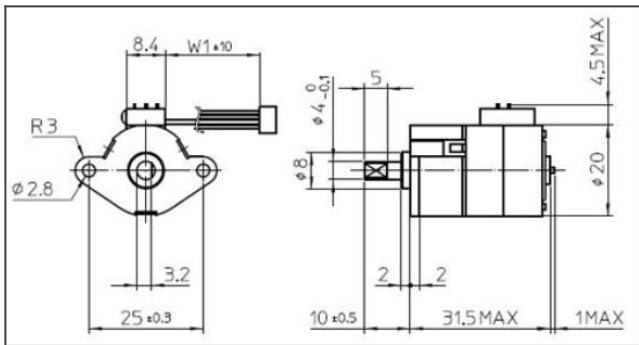
pg20l-d20 product picture



pg20l-d20 graph



pg20l-d20 product drawing



PG stepper motors

Detailed Specifications

Motor Size:	20
Reduction Ratio:	1 / 34.3
Drive Method:	2-2 PHASE
Drive Circuit:	Bipolar Constant Voltage
Drive Voltage:	12
DC Resistance:	80
Step Angle (2phase drive):	0.524
Insulation Resistance (M):	100
Dielectric Strength:	500
Class of Insulation:	CLASS B
Operating Temp Upper:	50
Storage Temp Lower:	-30
Storage Temp Upper:	80
Operating Hum. Lower:	20
Operating Hum. Upper:	90