

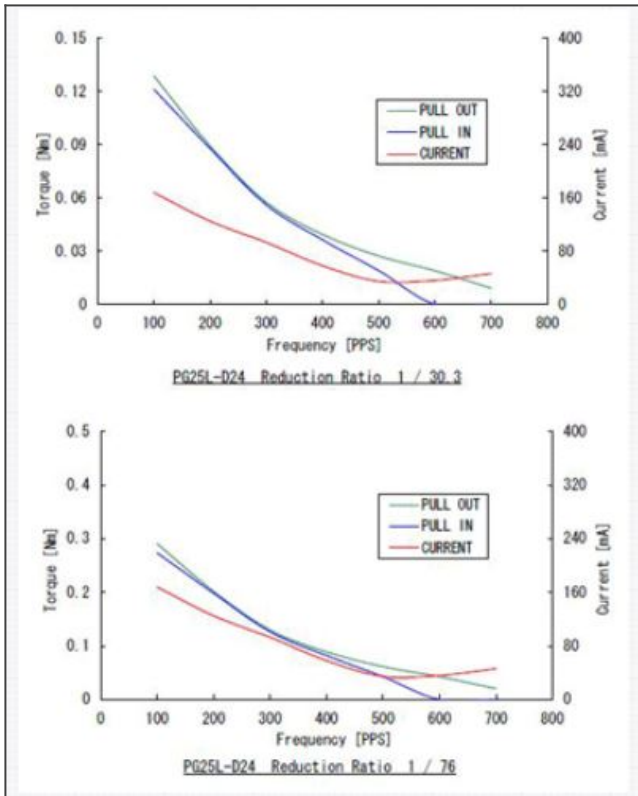
PG25L-D24 product picture



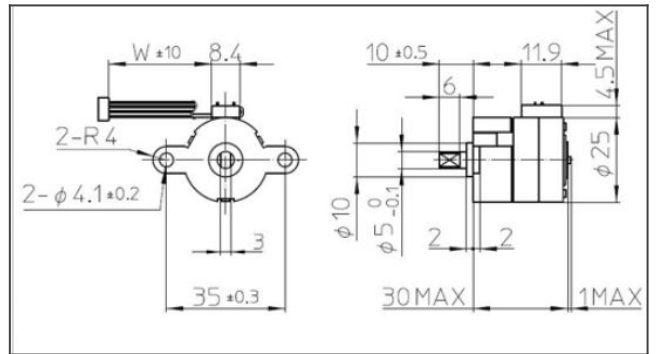
pg25l product picture



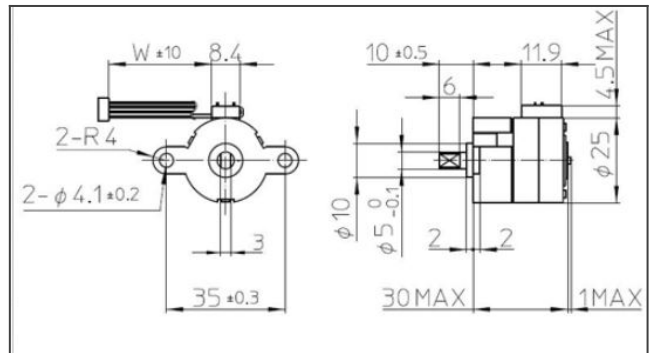
PG25L-D24 graph



PG25L-D24 product drawing

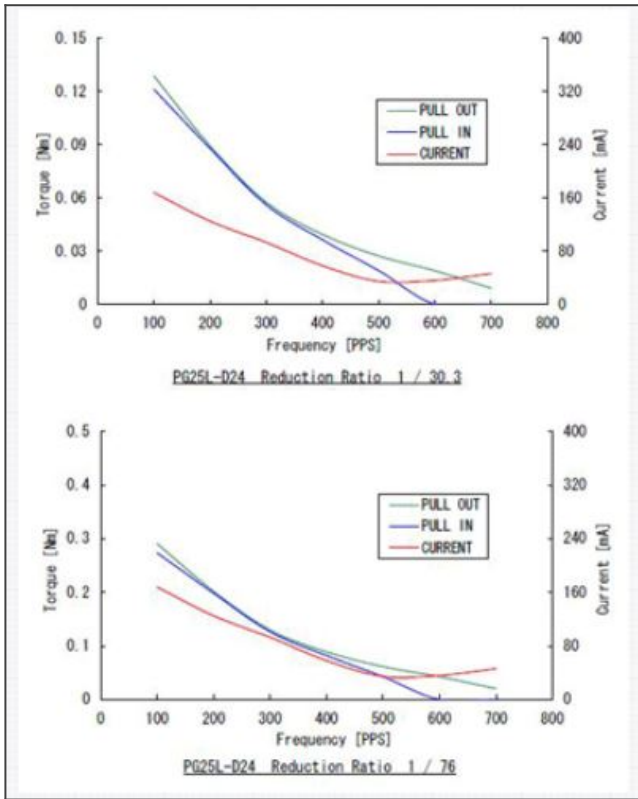


pg25l product drawing



PG stepper motors

pg25l graph



PG stepper motors

Detailed Specifications

Motor Size:	25
Reduction Ratio:	Jan-76
Drive Method:	2-2 PHASE
Drive Circuit:	Unipolar Constant Voltage
Drive Voltage:	12
DC Resistance:	110
Step Angle (2phase drive):	0.197
Insulation Resistance (M):	100
Dielectric Strength:	500
Class of Insulation:	CLASS B
Operating Temp Upper:	50
Storage Temp Lower:	-30
Storage Temp Upper:	80
Operating Hum. Lower:	20
Operating Hum. Upper:	90

PG stepper motors