

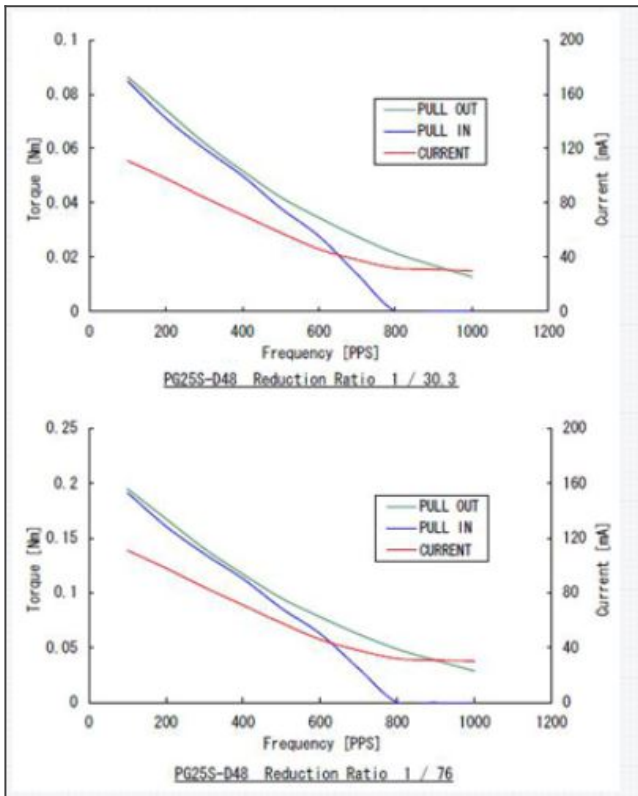
**PG25S-D48 product picture**



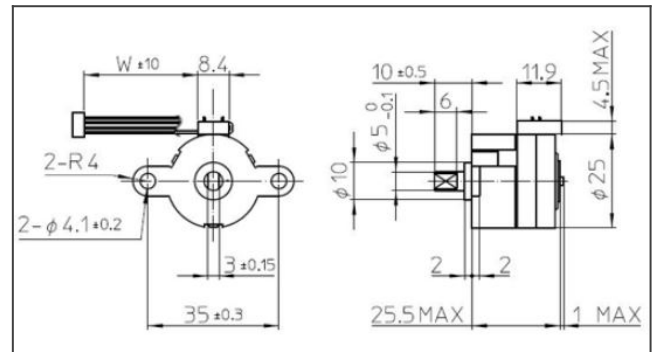
**pg25s product picture**



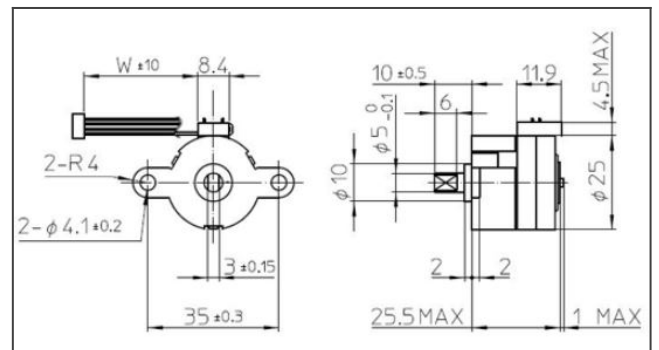
**PG25S-D48 graph**



**PG25S-D48 product drawing**

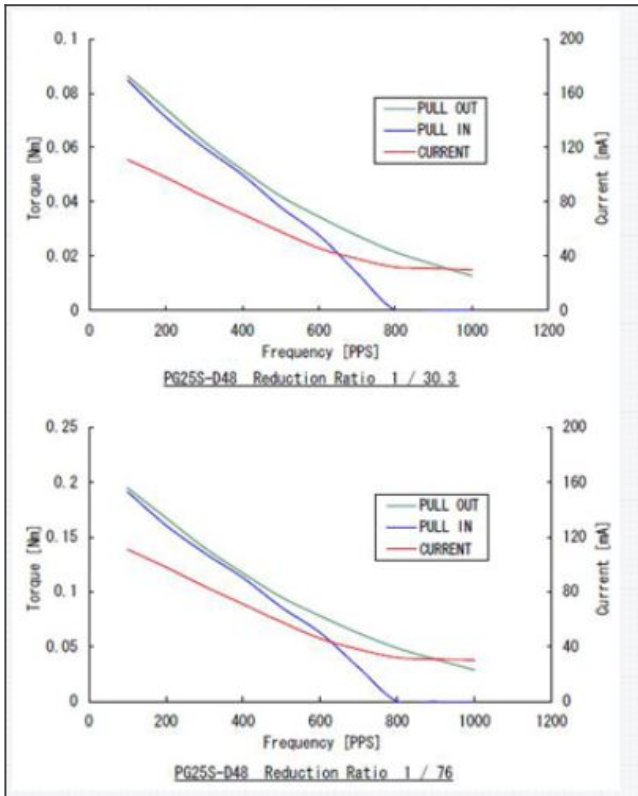


**pg25s product drawing**



PG stepper motors

pg25s graph



PG stepper motors

## Detailed Specifications

<b>Motor Size:</b>	25
<b>Reduction Ratio:</b>	1 / 236
<b>Drive Method:</b>	2-2 PHASE
<b>Drive Circuit:</b>	Unipolar Constant Voltage
<b>Drive Voltage:</b>	12
<b>DC Resistance:</b>	200
<b>Step Angle (2phase drive):</b>	0.0317
<b>Insulation Resistance (M):</b>	100
<b>Dielectric Strength:</b>	500
<b>Class of Insulation:</b>	CLASS B
<b>Operating Temp Upper:</b>	50
<b>Storage Temp Lower:</b>	-30
<b>Storage Temp Upper:</b>	80
<b>Operating Hum. Lower:</b>	20
<b>Operating Hum. Upper:</b>	90