

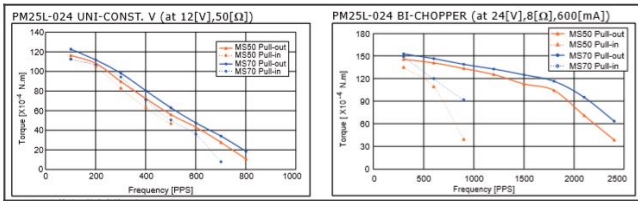
PM25L-024 product picture



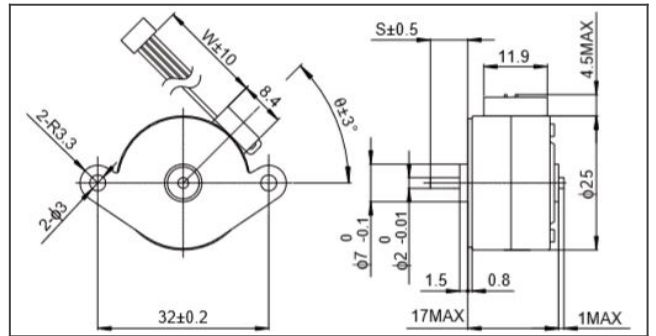
pm25l product picture



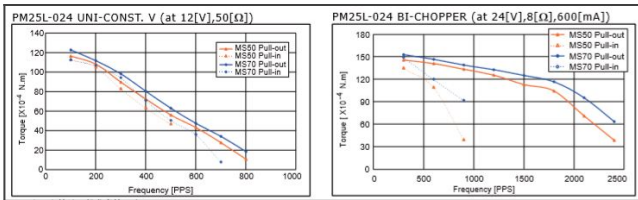
PM25L-024 graph



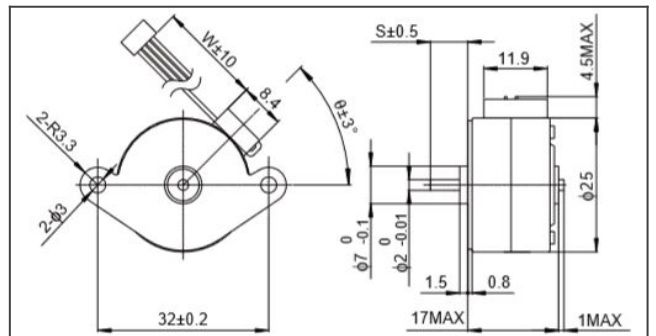
PM25L-024 product drawing



pm25l graph



pm25l product drawing



PM

Detailed Specifications

PM

PM Type:	Standard
Motor Size:	25
Number of Steps per Rotation:	24 (15deg/Step)
Drive Method:	2-2 PHASE
Drive Circuit:	Bipolar Chopper
Drive Voltage:	24
Current / Phase:	400
Coil Resistance / Phase:	12
Drive IC:	UDN2916B-V
Magnet Material:	Polar anisotropy ferrite sintered magnet(MS50) Nd-Fe-B bonded magnet(MS70)
Insulation Resistance (M):	100
Dielectric Strength:	500
Class of Insulation:	CLASS E
Operating Temp Lower:	-10
Operating Temp Upper:	50
Storage Temp Lower:	-30
Storage Temp Upper:	80
Operating Hum. Lower:	20
Operating Hum. Upper:	90