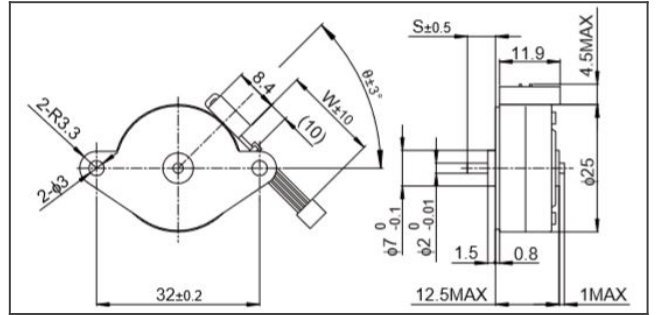


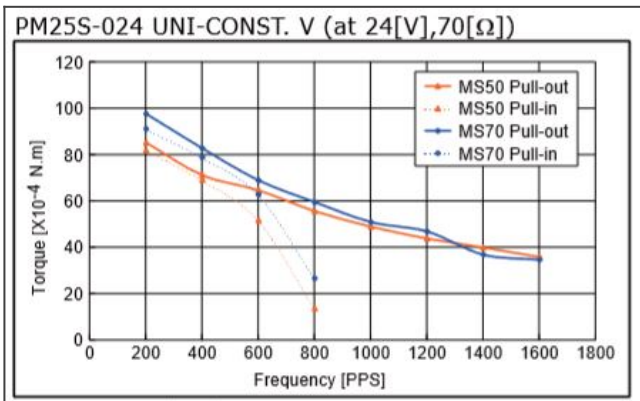
PM25S-024 product picture



PM25S-024 product drawing



pm25s-024 graph



Permanent Magnet Motors

Detailed Specifications

PM Type:	Standard
DC Resistance:	2.5 - 200
Magnet Material:	Polar anisotropy ferrite sintered magnet and Nd-Fe-B bonded magnet
Temperature Rise - MAX:	30