

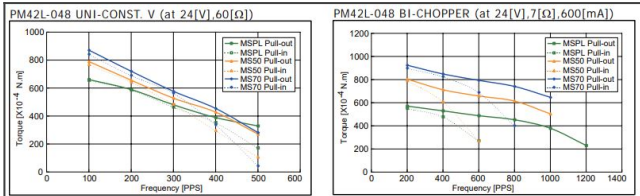
PM42L-048 product picture



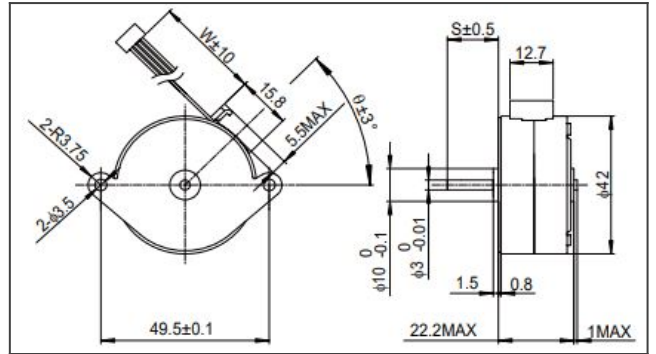
pm42l product picture



PM42L-048 graph

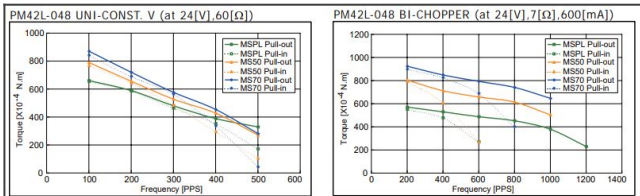


PM42L-048 product drawing

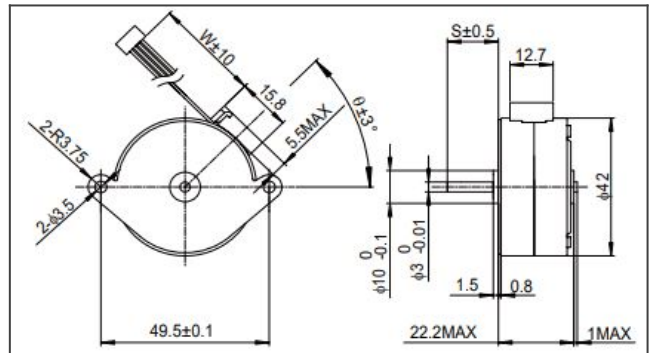


PM

pm42l graph



pm42l product drawing



Detailed Specifications

PM Type: Standard

Motor Size: 42

Number of Steps per Rotation: 48 (7.5deg/Step)

Drive Method: 2-2 PHASE

Drive Circuit: Unipolar Constant Voltage

Drive Voltage: 24

Coil Resistance / Phase: 60

Drive IC: 2SC3346

Magnet Material: Ferrite plastic magnet(MSPL) Polar anisotropy ferrite sintered magnet(MS50) Nd-Fe-B bonded magnet(MS70)

Insulation Resistance (M): 100

Dielectric Strength: 500

Class of Insulation: CLASS E

Operating Temp Lower: -10

Operating Temp Upper: 50

Storage Temp Lower: -30

Storage Temp Upper: 80

Operating Hum. Lower: 20

Operating Hum. Upper: 90

PM