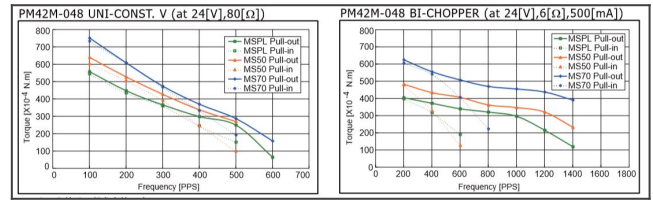


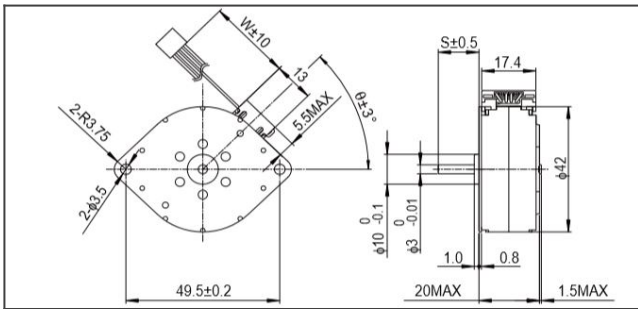
PM42M-048 product picture



PM42M-048 graph



PM42M-048 product drawing



Permanent Magnet Motors

Detailed Specifications

PM Type:	Standard
Motor Size:	42
Number of Steps per Rotation:	48 (7.5deg/Step)
Drive Method:	2-2 PHASE
Drive Circuit:	Bipolar Chopper
Drive Voltage:	24
Current / Phase:	500
Coil Resistance / Phase:	6
Drive IC:	UDN2916B-V
Magnet Material:	Ferrite plastic magnet(MSPL) Polar anisotropy ferrite sintered magnet(MS50) Nd-Fe-B bonded magnet(MS70)
Insulation Resistance (M):	100
Dielectric Strength:	500
Class of Insulation:	CLASS E
Operating Temp Lower:	-10
Operating Temp Upper:	50
Storage Temp Lower:	-30
Storage Temp Upper:	80
Operating Hum. Lower:	20
Operating Hum. Upper:	90