

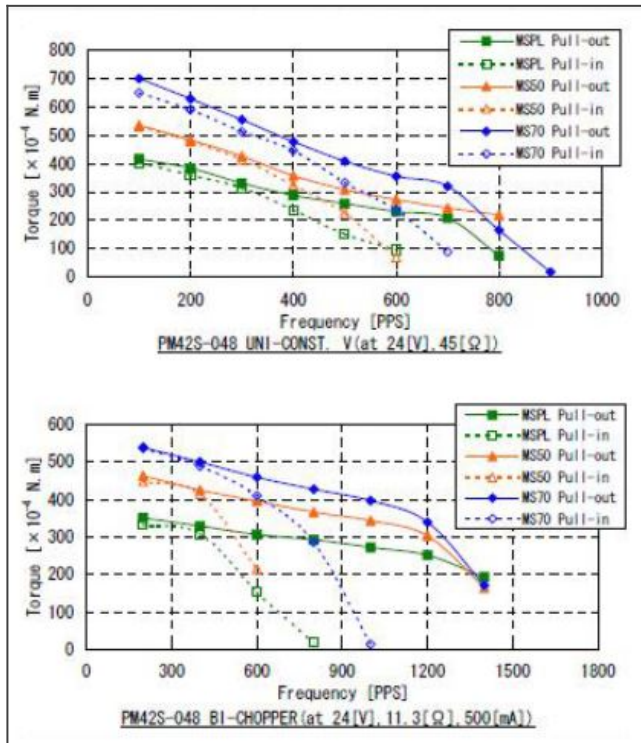
**PM42S-048 product picture**



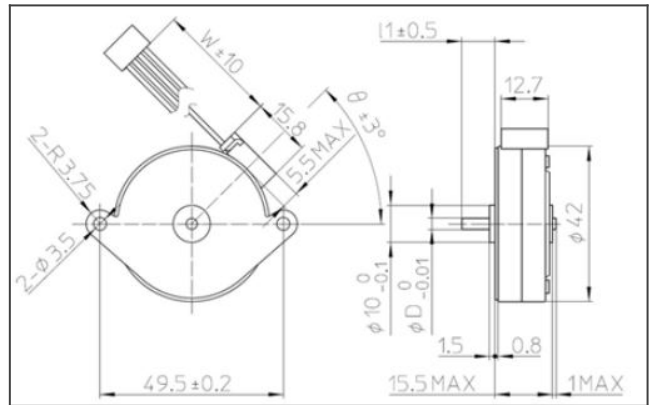
**pm42s product picture**



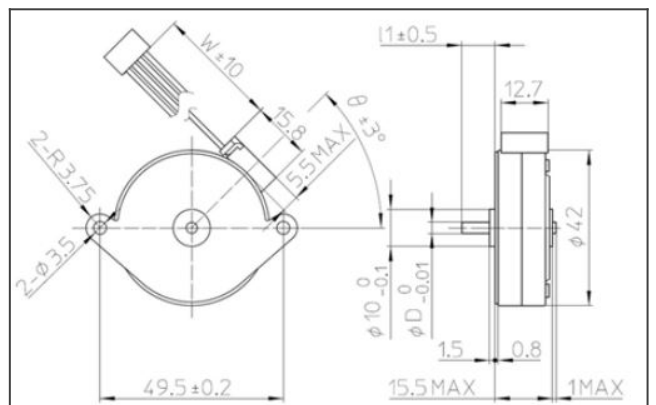
**PM42S-048 graph**



**PM42S-048 product drawing**

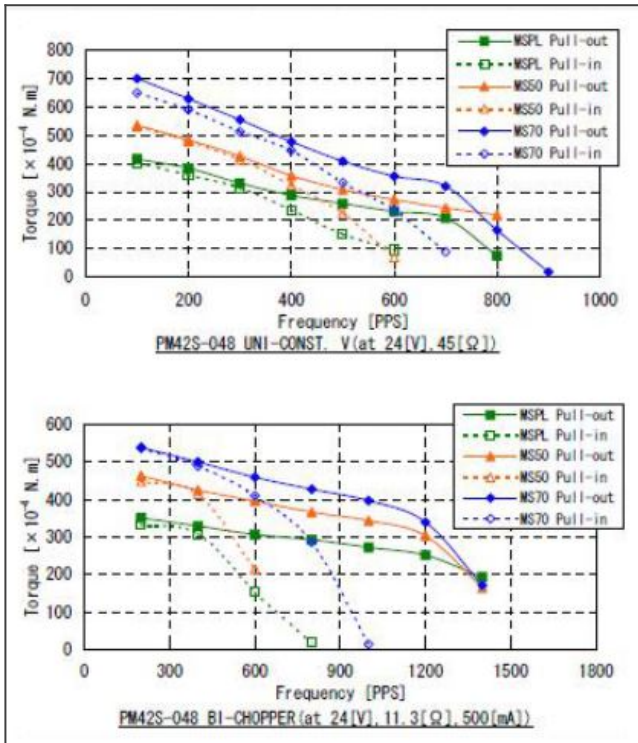


**pm42s product drawing**



PM

pm42s graph



PM

## Detailed Specifications

**PM Type:** Standard

**Motor Size:** 42

**Number of Steps per Rotation:** 48 (7.5deg/Step)

**Drive Method:** 2-2 PHASE

**Drive Circuit:** Unipolar Constant Voltage

**Drive Voltage:** 24

**Coil Resistance / Phase:** 45

**Drive IC:** 2SC3346

**Magnet Material:** Ferrite plastic magnet(MSPL) Polar anisotropy ferrite sintered magnet(MS50) Nd-Fe-B bonded magnet(MS70)

**Insulation Resistance (M):** 100

**Dielectric Strength:** 500

**Class of Insulation:** CLASS E

**Operating Temp Lower:** -10

**Operating Temp Upper:** 50

**Storage Temp Lower:** -30

**Storage Temp Upper:** 80

**Operating Hum. Lower:** 20

**Operating Hum. Upper:** 90

**PM**