

PM42S-0X1 product picture



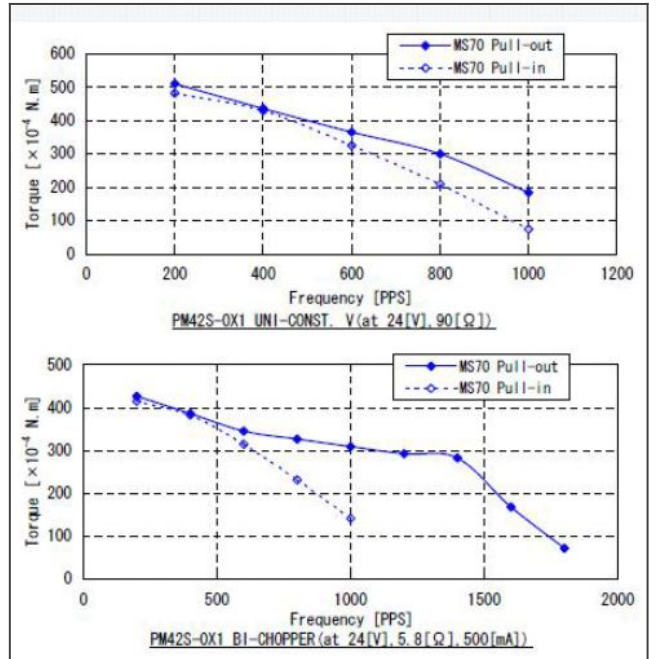
pm42s product picture



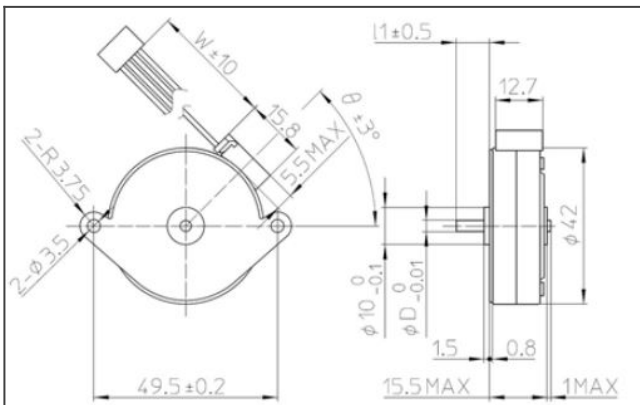
pm42s-0x1 product picture



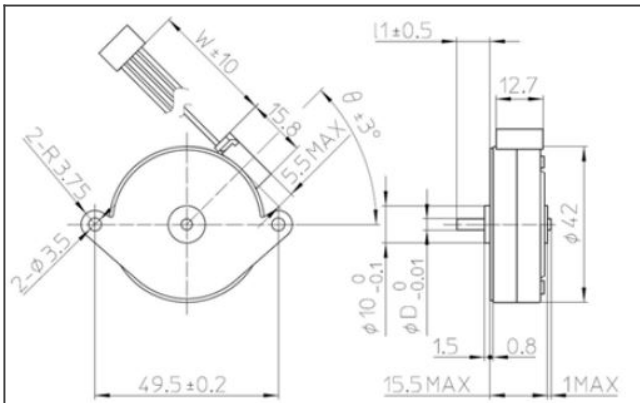
pm42s-0x1 graph



pm42s-0x1 product drawing

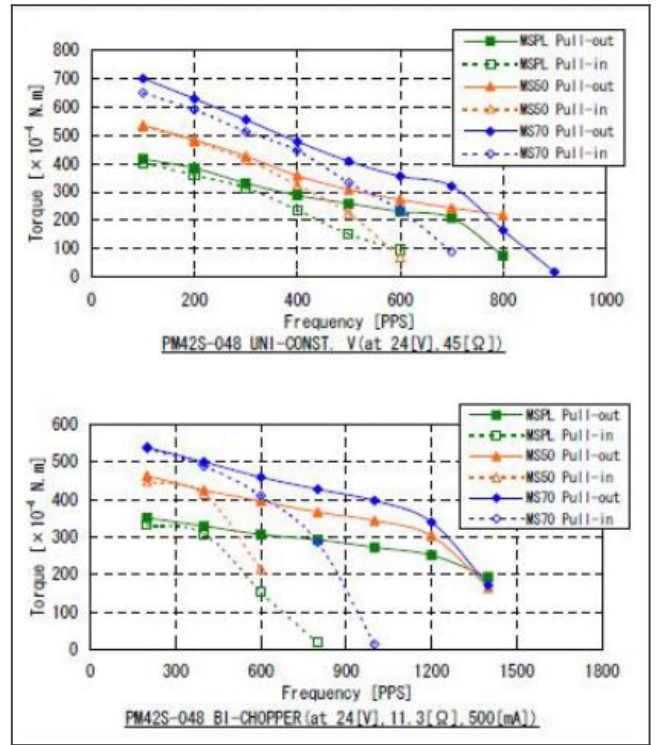


pm42s product drawing



PM

pm42s graph



PM

Detailed Specifications

PM Type:	Standard
Motor Size:	42
Number of Steps per Rotation:	100 (3.6deg/Step)
Drive Method:	2-2 PHASE
Drive Circuit:	Bipolar Chopper
Drive Voltage:	24
Current / Phase:	500
Coil Resistance / Phase:	5.8
Drive IC:	UDN2916B-V
Magnet Material:	Nd-Fe-B bonded magnet(MS70)
Insulation Resistance (M):	100
Dielectric Strength:	500
Class of Insulation:	CLASS E
Operating Temp Lower:	-10
Operating Temp Upper:	50
Storage Temp Lower:	-30
Storage Temp Upper:	80
Operating Hum. Lower:	20
Operating Hum. Upper:	90

PM