

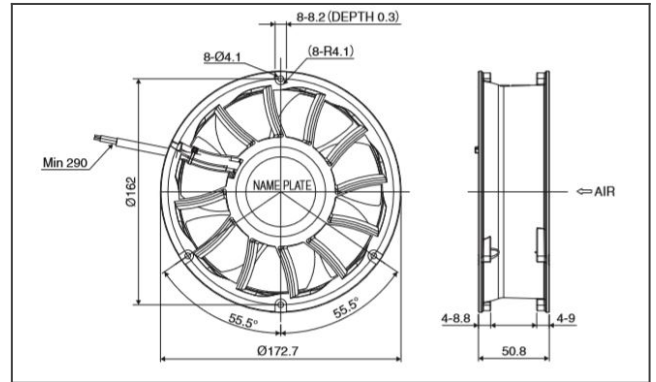
## General Specifications

Motor Protection: Locked Rotor, Reverse Polarity  
 Insulation Resistance: 10M Ohm min measured with a 500V DC between all leads shorted together and case.  
 Dielectric Withstand Voltage: AC 500V 1 minute  
 Allowable Ambient Temperature Range:  
 -30 degree C ~ +70 degree C (Operating)  
 -40 degree C ~ +80 degree C (Storage)  
 (non-condensing environment)

## Material

Casing: Aluminum  
 Impeller: Plastic  
 Lead Wire: UL3266, AWG22, +Red, -Black  
 Speed Control = Yellow Speed Signal = White

### R172H2 product drawing



**order part R172H2-051-D0550 Ball Bearings  
 Fan DC Fans**



**DC Fans**

## Detailed Specifications

<b>Expected Life:</b>	40 degree C 70,000 Hours (L10)
<b>DC Fan:</b>	Ball Bearings Fan
<b>Nominal Voltage:</b>	48[V]
<b>Operating Voltage Lower:</b>	36[V]
<b>Operating Voltage Upper:</b>	60[V]
<b>Current:</b>	1[A]
<b>Input Power:</b>	48[W]
<b>Speed:</b>	5000[ $\text{min}^{-1}$ ]
<b>Max. Air Flow:</b>	364[CFM]
<b>Max. Static Pressure:</b>	557[Pa]
<b>Noise:</b>	66[dB]
<b>Mass:</b>	850[g]
<b>Fan Size:</b>	172[mm]
<b>Fan Width:</b>	51[mm]
<b>Life Expectancy L10:</b>	40 degree C 70,000 Hours (L10)
<b>Series:</b>	R172H

DC Fans