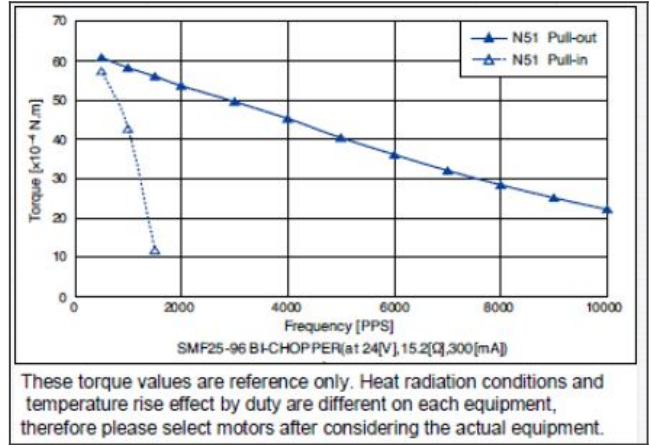


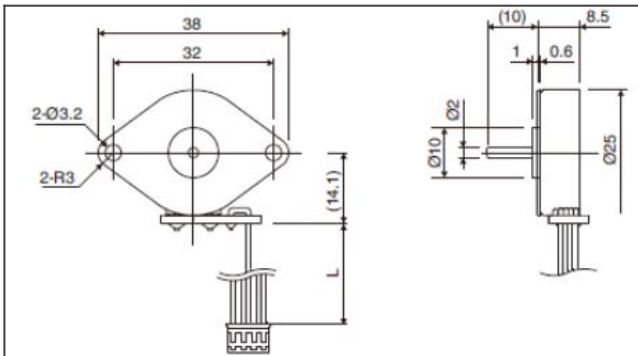
smf25-96 product picture



smf25-96 graph



smf25-96 product drawing



PM

Detailed Specifications

PM

PM Type:	High Speed
Motor Size:	25
Number of Steps per Rotation:	96 (3.75deg/ Step)
Drive Method:	2-2 PHASE
Drive Circuit:	Bipolar Constant Current
Drive Voltage:	24
Current / Phase:	300
Coil Resistance / Phase:	15.2
Drive IC:	MTD2003
Magnet Material:	Isotropy ferrite sintered magnet (B13) Nd-Fe-B bonded magnet (N51)
Insulation Resistance (M):	100
Dielectric Strength:	500
Class of Insulation:	CLASS E (except lead wire)
Operating Temp Lower:	-10
Operating Temp Upper:	50
Storage Temp Lower:	-30
Storage Temp Upper:	80
Operating Hum. Lower:	5
Operating Hum. Upper:	90