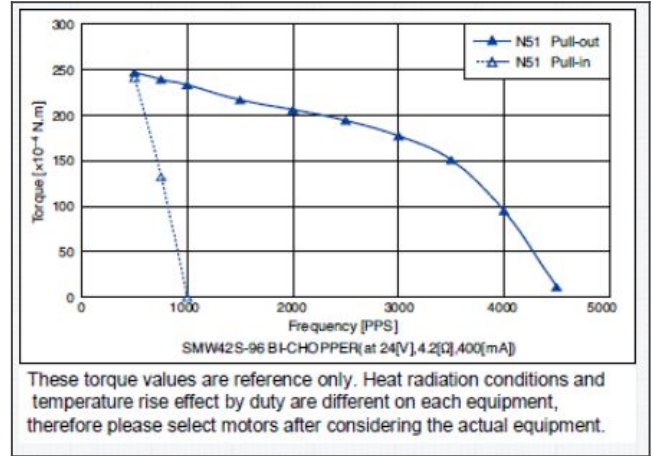


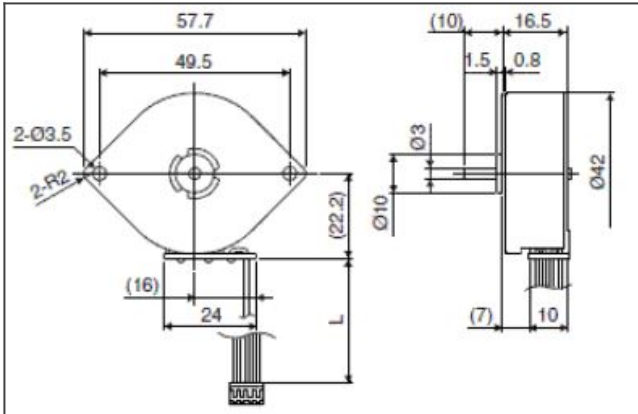
**smw42s-96 product picture**



**smw42s-96 graph**



**smw42s-96 product drawing**



PM

## Detailed Specifications

<b>PM Type:</b>	High Speed
<b>Motor Size:</b>	42
<b>Number of Steps per Rotation:</b>	96 (3.75deg/ Step)
<b>Drive Method:</b>	2-2 PHASE
<b>Drive Circuit:</b>	Bipolar Constant Current
<b>Drive Voltage:</b>	24
<b>Current / Phase:</b>	400
<b>Coil Resistance / Phase:</b>	4.2
<b>Drive IC:</b>	MTD2003
<b>Magnet Material:</b>	Nd-Fe-B bonded magnet (N51)
<b>Insulation Resistance (M):</b>	100
<b>Dielectric Strength:</b>	500
<b>Class of Insulation:</b>	CLASS E (except lead wire)
<b>Operating Temp Lower:</b>	-10
<b>Operating Temp Upper:</b>	50
<b>Storage Temp Lower:</b>	-30
<b>Storage Temp Upper:</b>	80
<b>Operating Hum. Lower:</b>	5
<b>Operating Hum. Upper:</b>	90

PM